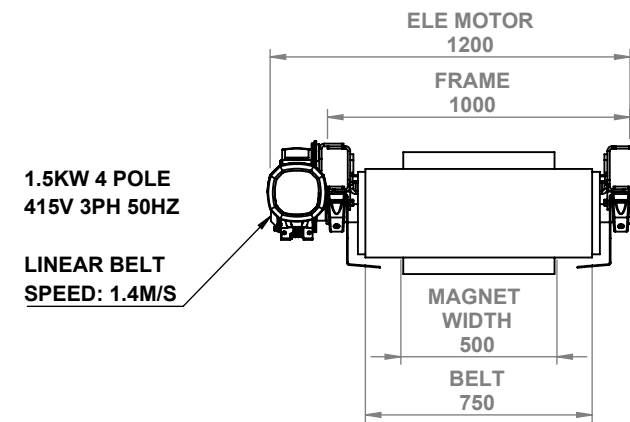
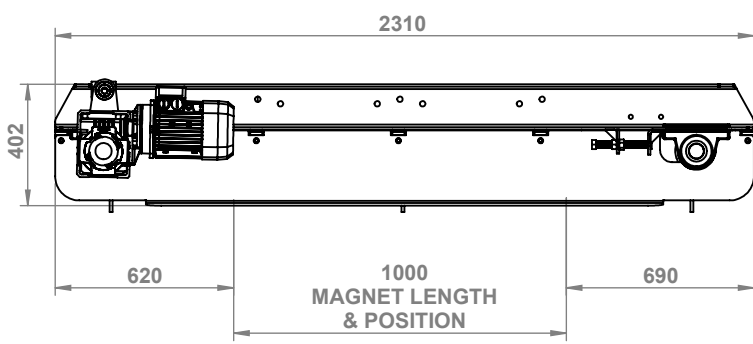
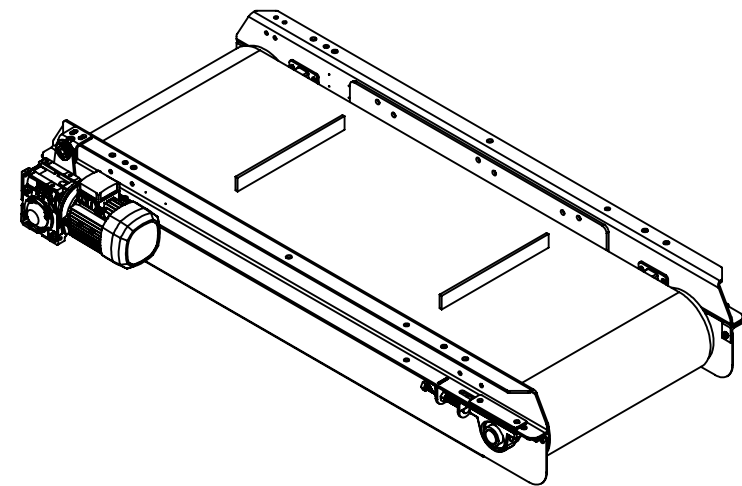
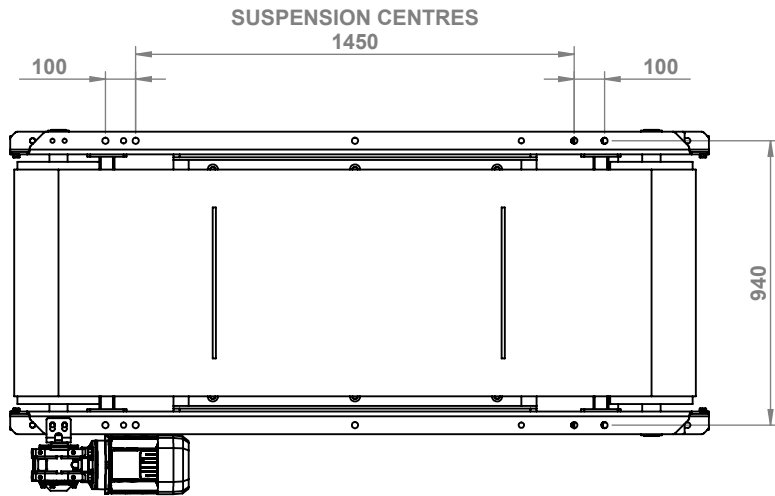


| NO. | REVISION | BY | DATE |
|-----|----------|----|------|
| | | | |
| | | | |



DO NOT SCALE DRAWING ALL DIMENSIONS IN MM UNLESS OTHERWISE STATED

| | |
|----------------------------|---------|
| TOLERANCES EXCEPT AS NOTED | |
| ANGLE | ± 1° |
| HOLE | + 1, -0 |
| MACHINE | ± 0.001 |
| DIMS 0-999 | ± 1 |
| DIMS 1000-2499 | ± 2 |
| DIMS 2500- | ± 3 |

DRAWN BY: E.McG

DEBUR AND BREAK SHARP EDGES

ALL MAUFACTURING PARTS TO BE PAINTED AND HAVE NO SHARP EDGES

ALL DRAWINGS ARE PROPERTY OF CONVEYORTEK LTD AND SHOULD NOT BE REPRODUCED OR DISTRIBUTED WITHOUT PERMISSION

COPYRIGHT © CONVEYORTEK LTD

conveyortek

Quantity:

MATERIAL:

TITLE:

CORE 1000 D SP ELE

DWG NO.

CORE 1000 D SP ELE

A4