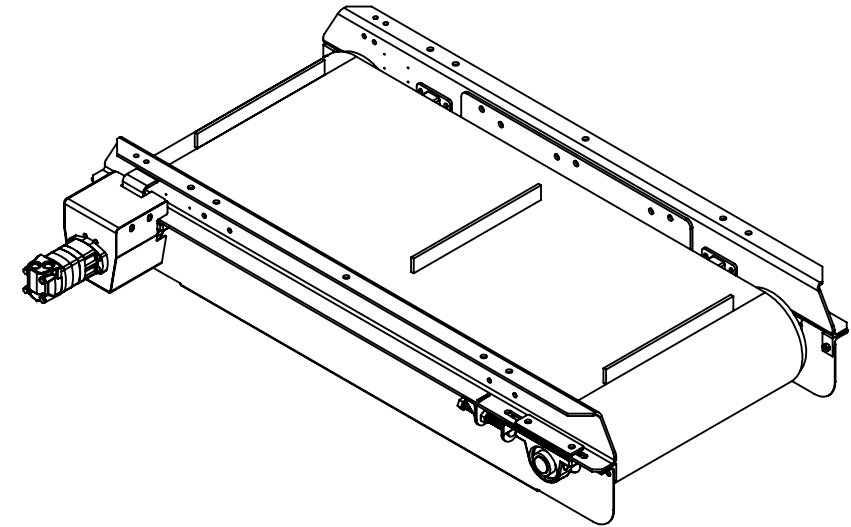
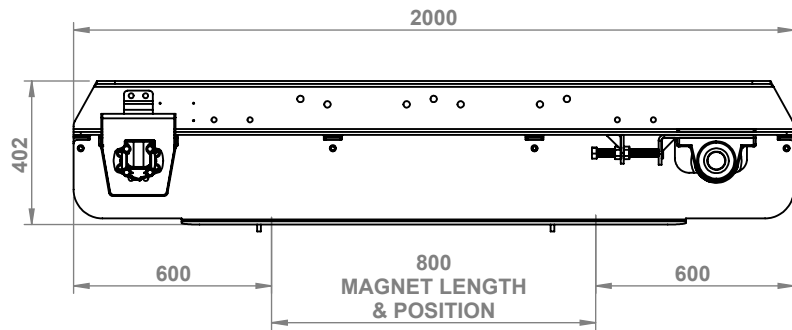
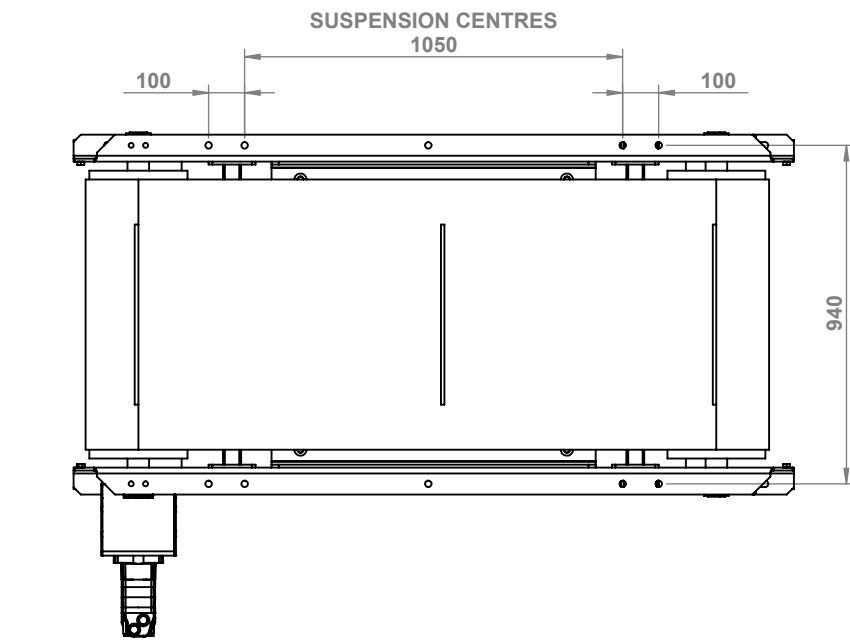


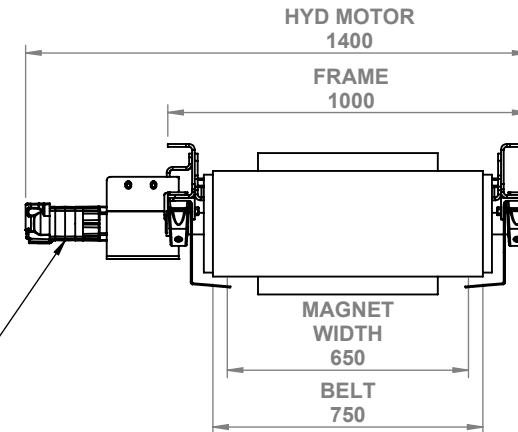
NO.	REVISION	BY	DATE



400CC
HYDRAULIC MOTOR

FLOW RATE:
APPROX. 40LPM
(1.4M/S LINEAR
BELT SPEED)

PRESSURE DROP:
MAX 23 BAR.



DO NOT SCALE DRAWING

ALL DIMENSIONS IN MM UNLESS OTHERWISE STATED

TOLERANCES EXCEPT AS NOTED

ANGLE ± 1°
HOLE +1, -0
MACHINE ± 0.001

DIMS 0-999 ± 1
DIMS 1000-2499 ± 2
DIMS 2500- ± 3

DRAWN BY:

E.McG

DEBUR AND BREAK SHARP EDGES

**ALL MAUFACTURING PARTS TO BE
PAINTED AND HAVE NO SHARP
EDGES**

ALL DRAWINGS ARE PROPERTY OF CONVEYORTEK
LTD AND SHOULD NOT BE REPRODUCED OR
DISTRIBUTED WITHOUT PERMISSION

COPYRIGHT © CONVEYORTEK LTD



Quantity:

MATERIAL:

DATE: 26/08/2016

WEIGHT: **APPROX. 1050 KG**

TITLE:

CORE 800 D TP HYD

DWG NO.

CORE 800 D TP HYD

A4

SCALE:1:21

SHEET 1 OF 1